



Milex LED Number Board

Easy Vehicle Identification Day or Night!

- Sturdy Powder Coated Aluminum Frame
- 18-75 VDC Power Input
- High Visibility Day or Night
- -40°C to +70°C Operating Range
- Color Temperature: 6500° Kelvin
- **5 YEAR FULL REPLACEMENT WARRANTY**

Manufactured by
Milex Technologies

John Fericks
775/340-4942
john@milextech.com

Jeff Fericks
801/205-7177
jeff@milextech.com



P.O. Box 551
Elko NV 89803
www.milextech.com

Milex LED Number Boards

Equipment identification in mining and construction is critical to the efficiency of any operation. Milex, a long-term producer of LED lighting products, introduces its high output, low power draw number boards for the mining and construction industries.

Built around a heavy duty, powder coated aluminum frame and powered by high efficiency LED lights, Milex Number Boards make it easy to identify any piece of equipment on site at a glance. A supervisor can easily manage operations based on correct equipment identification utilizing the number boards during both daylight and nighttime operations.

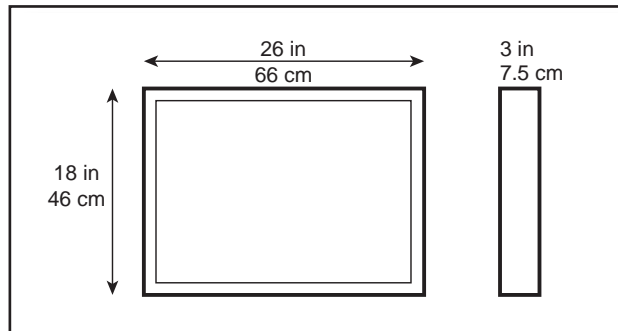
The number boards use less than 11 watts of DC power. The LEDs produce a daylight matching color temperature of 6500 K and operate in a temperature range of -40 to +70 C. Easy electrical connection is provided using a 2-wire pigtail.

The numbers are sealed to a high-density polymer panel that can be easily changed out even after the number board is mounted on the equipment. The panels are highly resistant to impact chipping and damage.

Best of all, LED technology does not use fragile filament globes which are subject to failure from vibration. LEDs are virtually immune to vibration damage and assure trouble free operation at very low power consumption. And Milex Number Boards are guaranteed with a full replacement warranty for 5 years.

Milex LED Number Boards Product Features

- High visibility day or night
- 18-75 VDC Power Input
- Light color temperature: 6500° Kelvin
- Durable powder coated aluminum box
- Operating temperature: -40 to +70° Celsius
- Number panel can be easily changed
- LEDs are virtually immune to vibration damage
- **5 YEAR FULL REPLACEMENT WARRANTY**



Manufactured by
Milex Technologies
PO Box 551
Elko NV 89803
www.milextech.com

John Fericks
775/340-4942
john@milextech.com

Jeff Fericks
801/205-7177
jeff@milextech.com